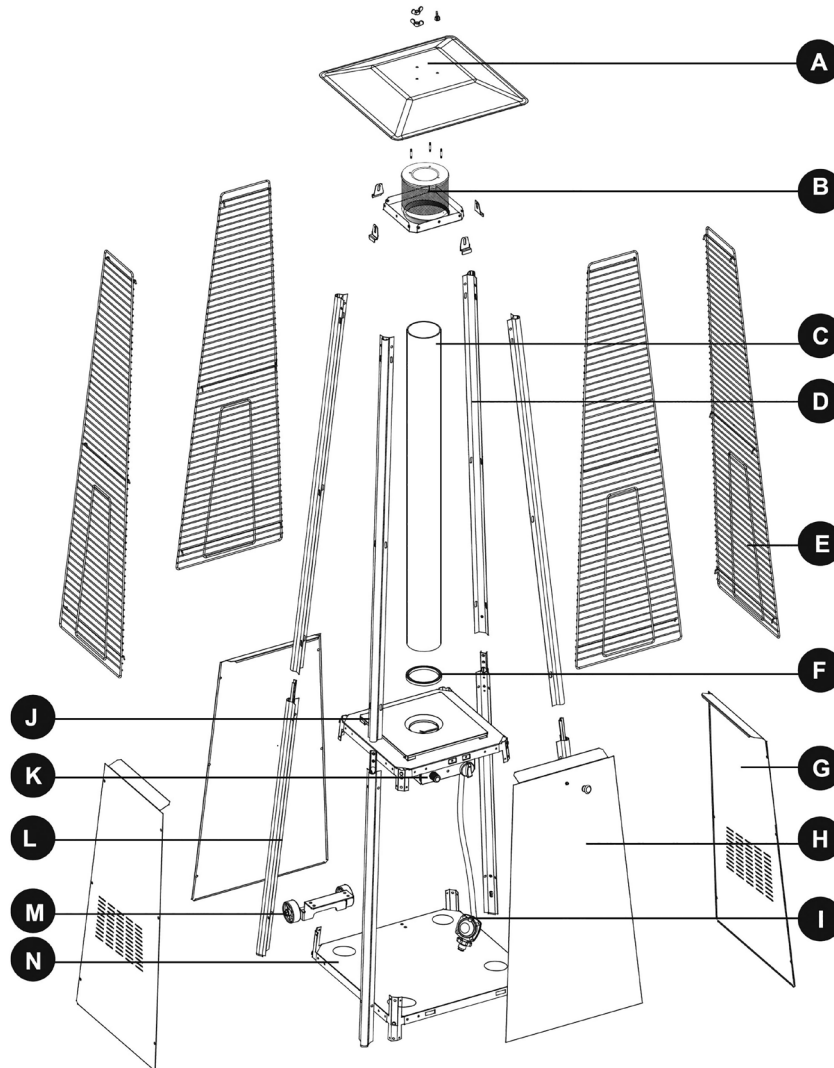




Parts Information:  
**Dellonda Freestanding Gas Pyramid Patio  
 Heater Outdoor Garden Glass Tube 13kW  
 Model No: DG98 & DG99**



Item	Part No.	Description
A	DG10484	Reflector
B	DG10485	Top Plate Assembly
C	DG10486	Glass Tube (102mm OD, 94mm ID, 1255mm long)
D	DG10487	Upper Support
E	DG10488	Protective Guard
F	DG10489	Silicone Seal Ring
G	DG10490	Side Panel (for DG98 only)
	DG10497	Side Panel (for DG99 only)
H	DG10491	Front Panel (for DG98 only)
	DG10498	Front Panel (for DG99 only)

Item	Part No.	Description
I	DG10001	Uk Regulator & Hose (c/w knob) 37mbar
J	DG10492	Middle Plate (for DG98 only)
	DG10499	Middle Plate (for DG99 only)
K	DG10493	Control Box Assembly
L	DG10494	Lower Support
M	DG10495	Wheel Assembly Fixed (c/w 2xWheels, Frame, Axle & Fixings)(D: 64 W: 25 B: 8) (for DG98 only)
	DG10500	Wheel Assembly, Fixed (c/w 2x Wheels, Frame, Axle & Fixings)(D: 64 W: 25 B: 8) (for DG99 only)
N	DG10496	Bottom Plate

**NOTE:** It is our policy to continually improve products and as such we reserve the right to alter data, specifications and component parts without prior notice. There may be alternative versions of this product, please contact us should you require this information.

**IMPORTANT:** No liability is accepted for incorrect use of product. Spare parts must be fitted by a competent person

**WARRANTY:** Guarantee is 12 months from purchase date, proof of which will be required for any claim.

**Jack Sealey Ltd t/a Dellonda,**

Kempson Way, Suffolk Business Park, Bury St Edmunds, Suffolk, IP32 7AR UK

**Jack Sealey (EU) Ltd t/a Dellonda,**

Famey Street, Carrickmacross, Co. Monaghan, A81 PK68 Ireland

Tel: 01284 757575 • Email: support@dellonda.co.uk • Web: www.dellonda.co.uk